



## ANKERSMID Flow meter AFM 10x/70x Series

### Application

The AFM flow meter for front and panel mounting are used for flow control of gas media in analysis devices and systems.

### Description

The Ankersmid AFM 10x flow meter consists of a vertical, internally conical glass tube widening towards the top in which a float can move freely upwards and downwards and of the head and bottom piece with an integrated Stainless Steel needle valve. The sample gas flows upwards through the tube and lifts the float until a radial clearance occurs between the tube wall and the float so that forces affecting the body are in equilibrium. Every position of the float corresponds to a certain flow which can be read on a calibrated scale. The measuring tube is sealed within the head and bottom part with FPM o-rings, as is the fine adjustment needle valve. The flow meter is fitted with a fine adjustment valve in the inlet for precise flow value setting.

The Ankersmid AFM 70x flow meter consists of a vertical, internally conical glass tube widening towards the top in which a float can move freely upwards and downwards and of the head and bottom piece with an integrated Stainless Steel needle valve

#### Available flow ranges:

AFM 101	0,1 - 1,2 l/min
AFM 102	0,5 - 2,5 l/min
AFM 103	0,5 - 6 l/min
AFM 104	2 - 14 l/min
AFM 105	5 - 30 l/min
AFM 701	6 - 60 l/h
AFM 702	10 - 100 l/h
AFM 703	25 - 250 l/h
AFM 704	50 - 500 l/h
AFM 705	80 - 800 l/h



Picture: AFM 10x



Picture: AFM 70x

- **Good chemical resistance**
- **Compact design**
- **With fine adjustment needle valve**

## ANKERSMID Flow meter

### AFM 10x/20x Series

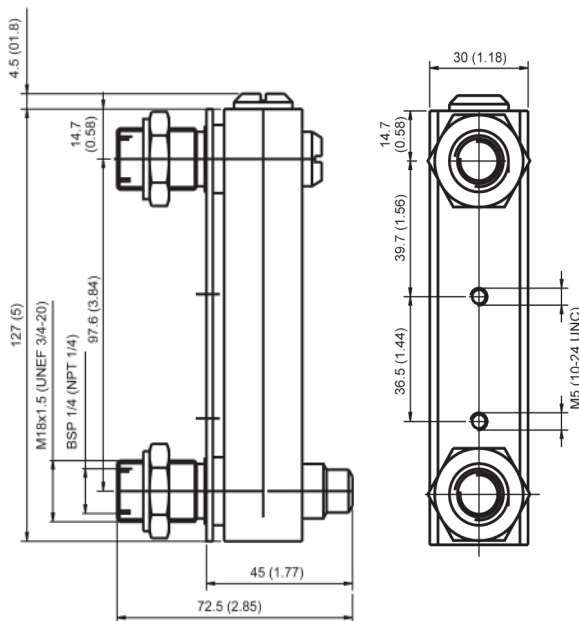
## Technical data

Model	AFM 1xx	AFM 7xx
Max. pressure	20 bar abs. (30 bar/30°C)	4 bar abs.
Max. temperature	75°C	100°C
Material flow tube	Acrylic (PMMA)	Borosilicate glass
Material valve	SS 316	Stainless steel 1.4571 (316 Ti)
Material sealing	Viton <sup>®</sup> , EPDM	FKM / PTFE
Material float		Stainless steel 1.4401, glass,
Material connectors	SS 316	PVDF
Connections	NPT 1/4"	G 1/8"
Accuracy	10% F.S. (H <sub>2</sub> O, +20°C)	4%

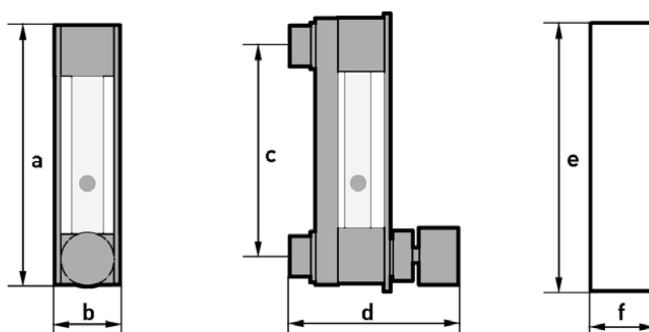
## ANKERSMID Flow meter

### AFM 1xx Series

## Dimensions



Picture: AFM 1xx



Picture: AFM 7xx

a		b		c		d		e		f	
mm	inches	mm	inches	mm	inches	mm	inches	mm	inches	mm	inches
97	3.82	25	0.99	75	2.95	max. 65	max.2.56	94	3.70	23	0.91